

# COMBINING THE TIME-TO-MARKET OF MODULES WITH THE FLEXIBILITY OF CUSTOM DESIGNS

Production hardened high speed core design for industrial applications based on Freescales i.MX28 processor with integrated configurable DDR2 memory, Flash and power management. Low level SW support for Linux and MQX.

The i.MX28 Core design is a part of the Electronic Sub-systems IP (ESIP) programme in Prevas. ESIPs are a modularized way of developing custom electronic designs reducing the need to reinvent well proven designs. Prevas maintains a large number of ESIP designs where the majority is already "proven", matured and implemented in products in the market. This significantly reduces the unknown factor that is always present in development of new designs.

Whether you choose to integrate it inhouse or in corporation with Prevas specialists, the Prevas ESIP concept significantly shortens time to market, reduces development cost and risk without having to suffer a higher production cost of a prefabricated module.

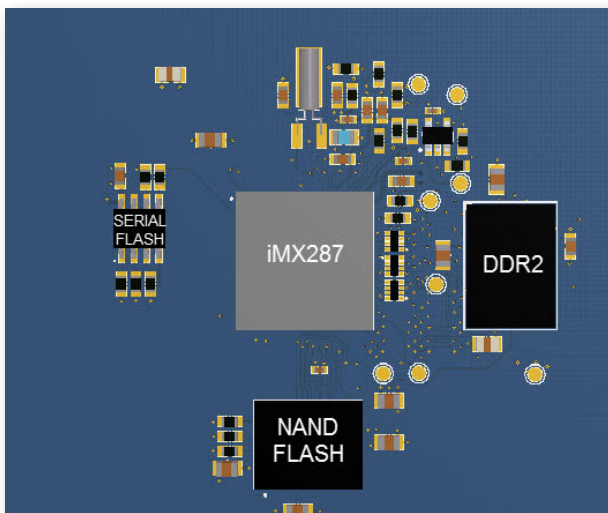


## FEATURES

- 454MHz i.MX28 series Processor.
- Integrated Processor PMU
- NAND Flash, 512Mb to 8Gb
- 205MHz DDR2 memory, 256Mb to 2Gb
- 100MHz Serial Flash, 512Kb to 32Mb
- Default outline 65 by 65mm
- Large amount of verified peripheral designs
- Supports commercial, industrial and automotive temperature ranges.

## APPLICATIONS

- Industrial configuration interface
- Low Power Handheld Devices
- Automotive infotainment System
- Industrial Central Connectivity HUB
- Home Automation and Health HUB



Contact:

Mikkel Ingstrup, Prevas A/S  
+45 40 21 61 03  
mikkel.ingstrup@prevas.dk  
www.prevas.com

## MATURITY

The i.MX28 Core Design is implemented and verified in respect to EMC, High speed performance and stability in a number of devices in the market running both Linux and Freescale MQX. Verified peripheral ESIPs with SW driver support are available for integration in the final design together with custom application specific components.

**Prevas**  
*Innovation for Growth*

With leading expertise in embedded systems and industrial IT, Prevas contributes by providing innovative solutions that create growth. Prevas was founded in 1985 and is the main supplier and development partner to leading companies in industries such as life science, telecom, automotive, defense, energy and engineering. Offices are located in Sweden, Denmark, Norway and India. The company has just over 600 employees. Prevas has been listed on the NASDAQ OMX Nordic exchange in Stockholm since 1998.